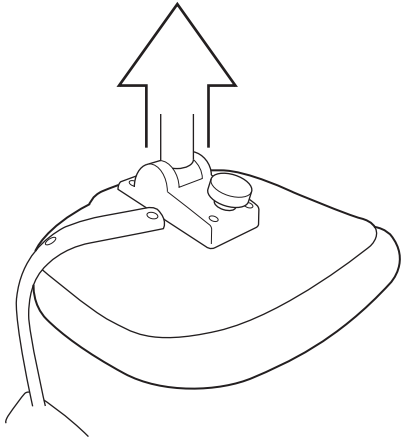




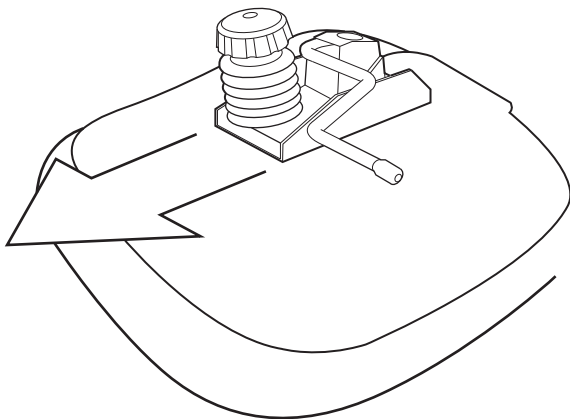
Ergon Base Kit Instructions

- 1) Flip chair over and remove 4 bolts securing the old tilt mechanism, cylinder and base.



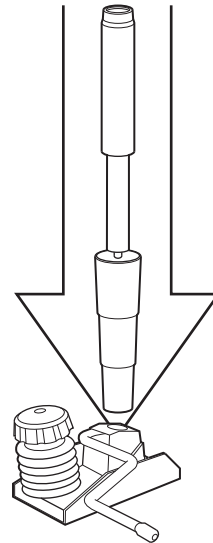
Note: if your chair does not have arms you will have to hold the j-bar and back in place while you remove the base.

- 2) Place new tilt mechanism on the bottom of seat pan and install with the tilt-tension control knob facing the front of the chair.

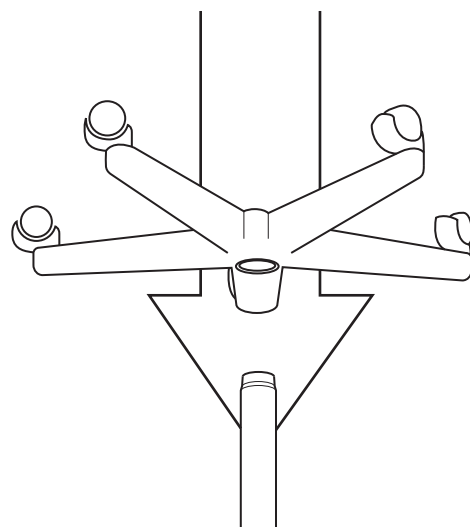


To ensure easy installation chase any fittings with a tap (5/16" coarse thread) before replacing bolts. Use original bolts.

- 3) Place telescoping plastic cylinder cover over new gas cylinder and insert into bottom of new tilt mechanism.



- 4) Place new star base on top of cylinder and use a soft mallet to secure to tilt mechanism. Press casters into base until they lock in place.



Gas cylinder connections are press fit only and should be tested by pulling up on chair while holding star base before using chair is used.