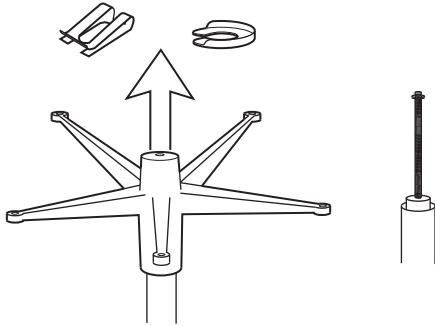


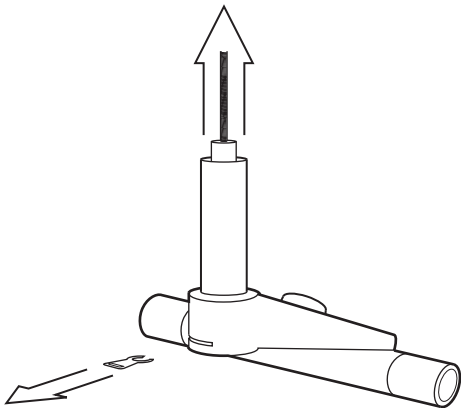


## Equa Gas Cylinder Conversion Kit

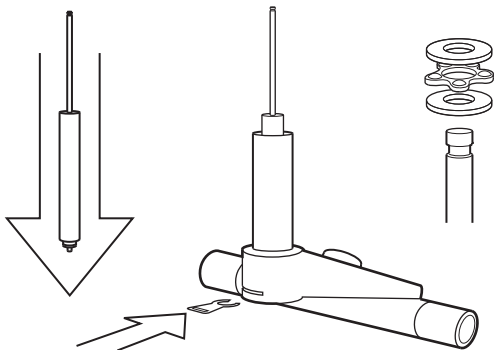
- 1) Flip chair upside down and remove bottom lock clip. Pull star base upward to remove.



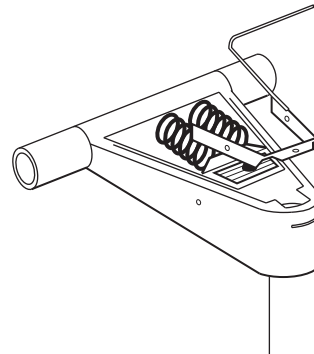
- 2) Remove top clip from tilt mechanism with small flathead screwdriver; then pull spin lift cylinder out of support tube.



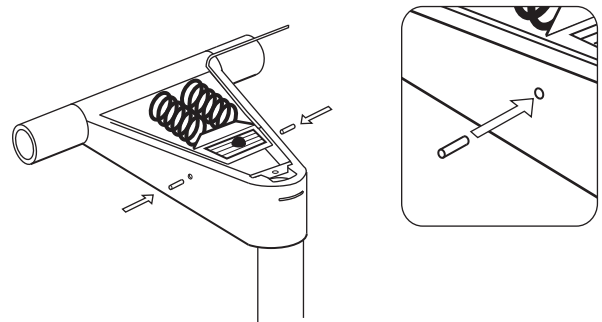
- 3) Place the new gas cylinder into support tube making sure it is centered; stack washers and bearing. Replace base and lock clips.



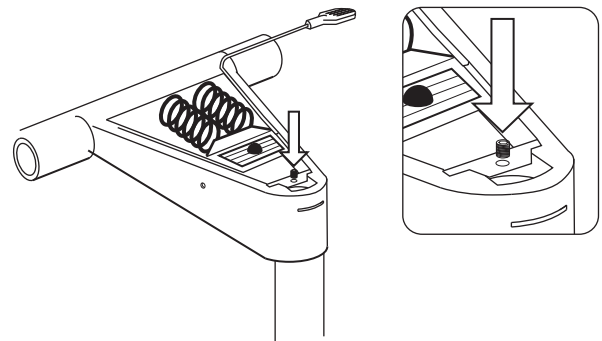
- 4) Flip base over and lower lever arm into place making sure that the holes in the tilt mechanism line up with those in the lever arm.



- 5) Slowly tap in pins using pliers and a hammer.



- 6) Install set screw by tightening until it contacts gas cylinder. If the screw is too tight the cylinder may not lock. If this occurs loosen the screw.



Press paddle handle onto end of the lever arm. Once base is working properly re-attach shell.