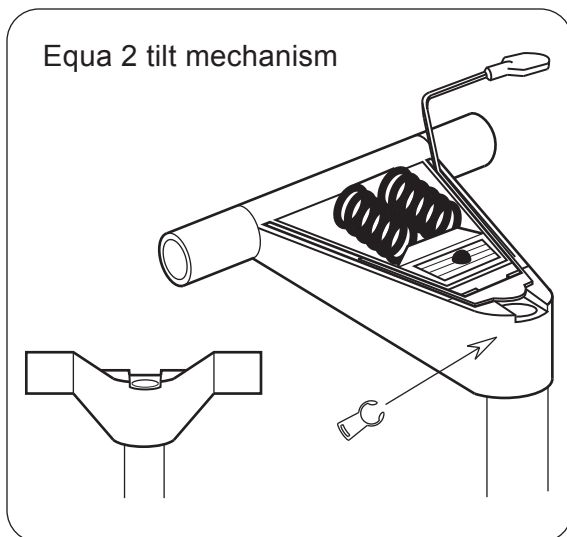
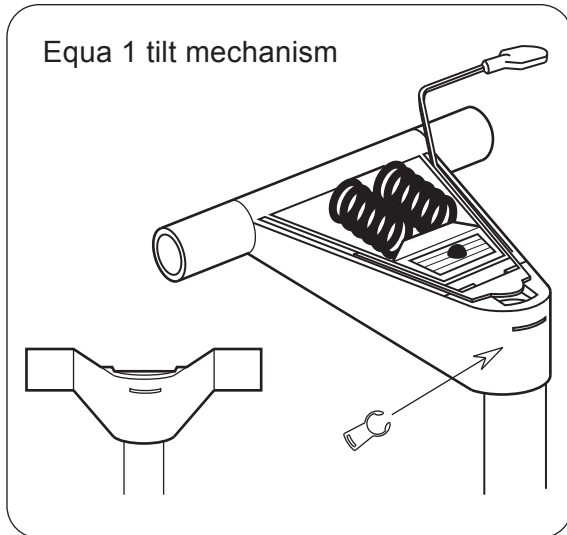


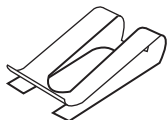


Equa 1 & 2 Gas Cylinder Replacement

- 1) To determine if your chair has an Equa 1 or 2 cylinder look at tilt mechanism beneath seatpan.



- 2) To remove the cylinder; flip chair upside down and remove clip at bottom of base.

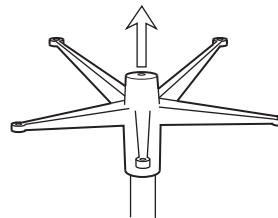


Regular clip

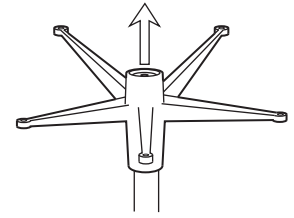


Round Clip

There are two styles of Equa star bases:



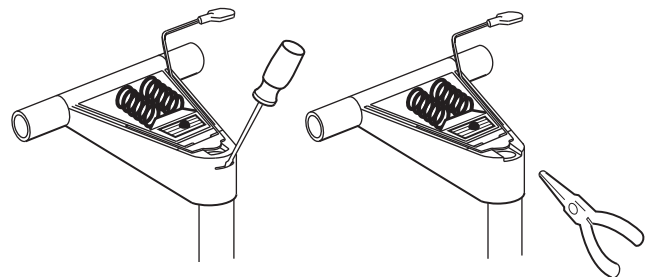
Flat Bottom



Indented

After removing clip, pull star base upward to expose gas cylinder. Note: most clips will fit with both star bases but some indented bases may require the round style clip.

- 3) Remove the top clip using a small flat-head screwdriver (Equa 1) or pliers (Equa 2).



After top clip is removed, pull cylinder straight out of support tube.

- 4) The Equa 1 gas cylinder is activated by a pin while the Equa 2 has an inset white plastic tab.



Equa 1



Equa 2

- 5) Once you have determined the correct gas cylinder for the chair, replacement is the reverse of removal.